



**INCREDIBLE**  
*Creativity*

Manufacture By :  
**HONEST CERAMIC PVT. LTD.**

Survey No. 472 / 473, Morbi - Jetpar Road, At. Jasmatgadh,  
Morbi - 363 630 (Guj.) INDIA.

Call. +91 90999 74203, +91 90999 74204

Email : [info.endeka@gmail.com](mailto:info.endeka@gmail.com)

[www.endeka.in](http://www.endeka.in)



MASTER COLLECTION  
**2024 - 25**

Artis  
the root of life



THE TRUE PLEASURE OF  
**COMFORT**

"ENDEKA" presents the finest sanitary ware reserved exclusively for the modern trend. These are closets, counter tops and basins that are adorned with class and sophistication and only those with taste would choose to spurge all over. The main ingredient of this collection is the richness of design that stands way above other contemporary offerings.





## THE COMPANY

"ENDEKA" the brand name of HONEST CERAMIC PVT. LTD, with a vision of producing international quality sanitaryware by merging the talents of the best designer team and the modern technology. With state best in class machinery, and equipments that support a fast and high quality production, the company can produce large numbers of sanitaryware products. It is one of the most reputed and respected sanitaryware manufacturing unit.

The team "ENDEKA" incorporates style and comfort and create eye catching sanitaryware products, which are affordable and durable. Our research and development team is always on the job to develop new and creative products which are user friendly and environment friendly.

Our team provides the best services to our customers, which is our trade mark. We take pride in our customer relations and are always committed to customer satisfaction.



## PRODUCTION

We are constantly evolving in order to continuously improve the functional performance and aesthetic of its collection. The wide range of shapes, sizes, colours and methods of installation of its products allows satisfying the different tastes and requirements of customers in a safe and precise manner.

"ENDEKA" always committed to interpreting new tastes and trends. We always looks to the future with continuous innovation of its process and products. This requires the integration of different skills in different stage of levels. The Company has always paid great attention to saving energy and protecting the environment.



## FEATURES

The Inspiring collection of Sanitary Wares offered by ENDEKA is a perfect blend of aesthetics and craftsmanship to make you feel ecstatic and exceptional. The products are designed to give you comfort and hygiene. These products are designed to make your washrooms look stylish, luxurious, smart and beautiful. The Product portfolio by Endeka enthalls all the consumer segments, ranging from elementary to flamboyant, contemporary to traditional and compact to elaborate. Come and witness the fascinating products in the world of Ideas and Artistry.



### SIPHONIC FLUSHING

- ≈ Quieter & Powerful Flushing
- ≈ Odorless because of the high water level in the closet
- ≈ Water-Efficient Flushing



### RIMLESS FLUSHING

- ≈ Quick & Easy to clean
- ≈ Provides more daily hygiene.
- ≈ Superior Flushing as it distributes water around the closet more effectively.



### ANTI - BACTERIAL

- ≈ Antibacterial coating prevents the growth of harmful bacteria.
- ≈ Resists lime scaling
- ≈ Special glaze gives superior surface finish and sparkling appearance



### UF SEAT COVER

- ≈ The high-quality materials ensures smooth hydraulic function for a longer time.
- ≈ Slim soft-close seat cover.
- ≈ Resistance against scratches.
- ≈ Good load-bearing capacity.



### SOFT CLOSE SEAT COVER

- ≈ Quick fit seat cover
- ≈ Easy to install & remove feature
- ≈ Slim soft-close seat cover



### THIN RIM

- ≈ Latest & Contemporary Design Format
- ≈ Sleek in shape but strong and durable.



## EMBRACE THE EXTRA-ORDINARY



BEYOND YOUR  
*Imagination*



## CONTENT

**10**

ONE PIECE  
CLOSET



**46**

WALL HUNG  
BASIN



**20**

WALL HUNG  
CLOSET



**54**

WASH BASIN  
HALF PEDESTAL



**28**

TABLE  
TOP



**56**

WASH BASIN  
PEDESTAL



**40**

COUNTER  
BASIN



**62**

WATER  
CLOSET



**42**

FLOOR MOUNT  
BASIN



**66**

PAN &  
URINAL





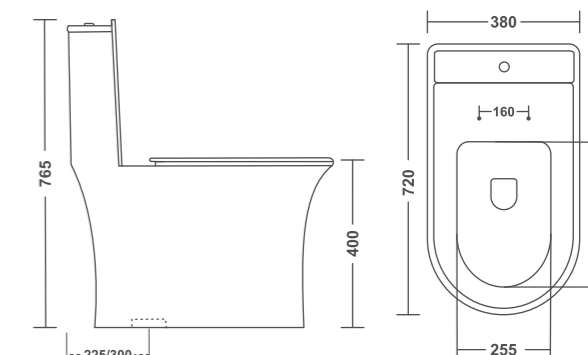
# ONE PIECE WATER CLOSET

Transform your bathroom into a sanctuary of modern luxury with our premium range of one piece water closets. Combining sleek design with exceptional functionality, our water closets provide the perfect solution for contemporary bathrooms.



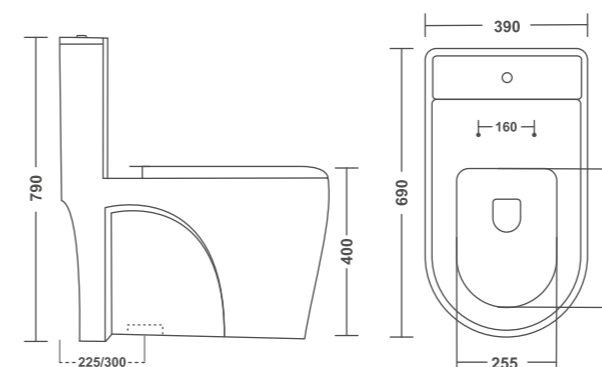
## ENDEKA - 1001

L 720MM | W 380MM | H 765MM  
S Trap : 225/300MM



## EURO - 1002

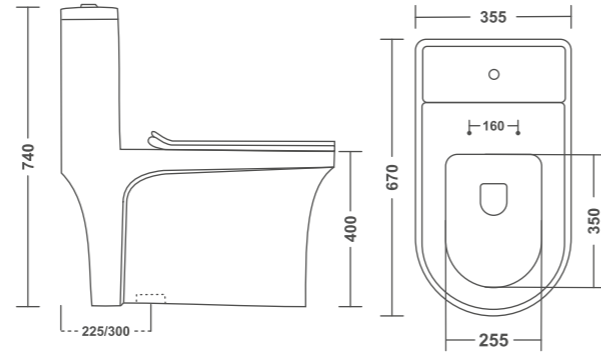
L 690MM | W 390MM | H 790MM  
S Trap : 225/300MM





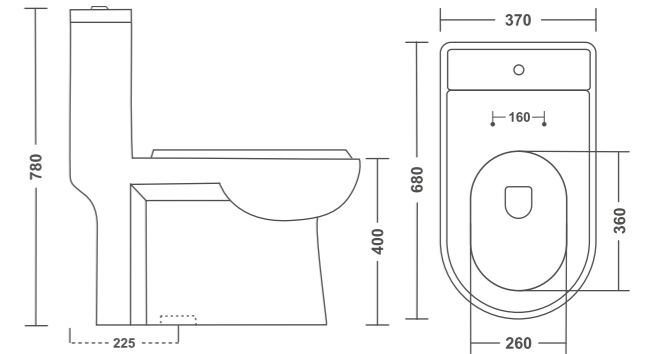
**EKON - 1003**

L 670MM | W 355MM | H 740MM  
S Trap : 225/300MM



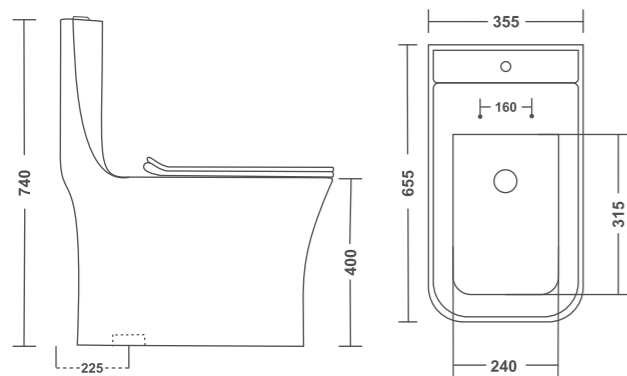
**EZINIA - 1005**

L 680MM | W 370MM | H 780MM  
S Trap : 225MM



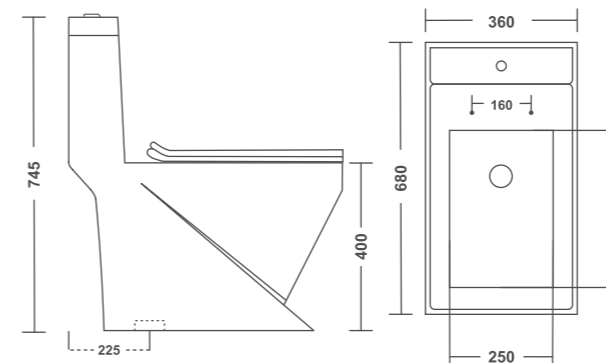
**EDEN - 1004**

L 655MM | W 355MM | H 740MM  
S Trap : 225MM



**ERA - 1006**

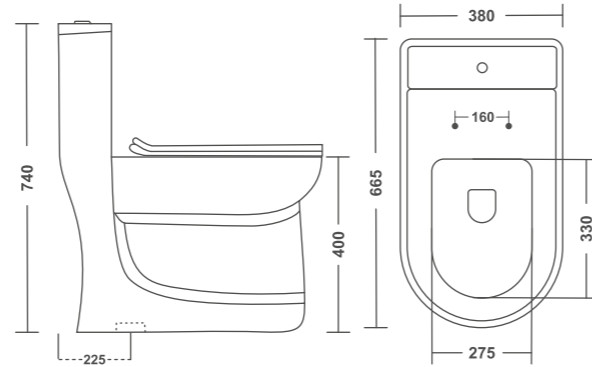
L 680MM | W 360MM | H 745MM  
S Trap : 225MM





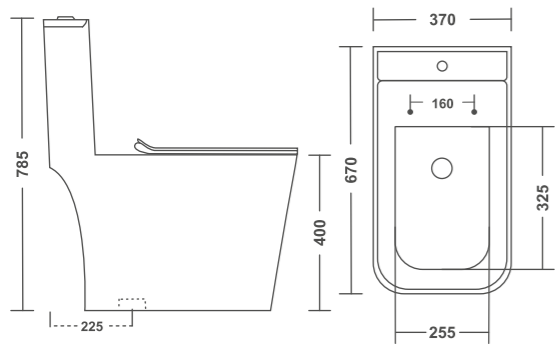
**EVA - 1007**

L 665MM | W 380MM | H 740MM  
S Trap : 225MM



**EXCEL - 1009**

L 670MM | W 370MM | H 785MM  
S Trap : 225MM



EVERY  
SPACE IS  
DESERVES A

*Touch of Elegance*

**EURO - 1002**

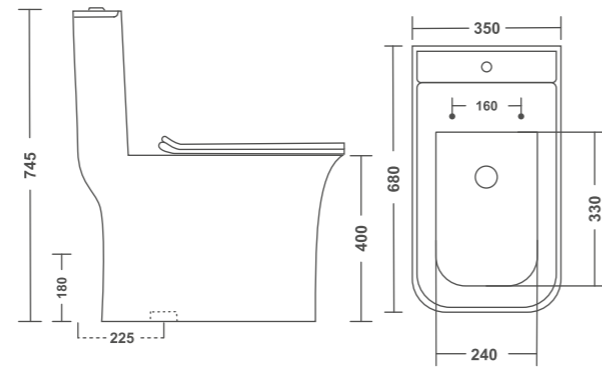






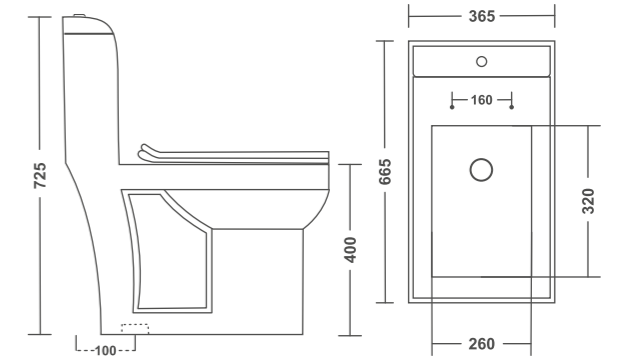
**ELECTRA - 1010**

L 680MM | W 350MM | H 745MM  
S Trap : 225MM | P Trap : 180MM



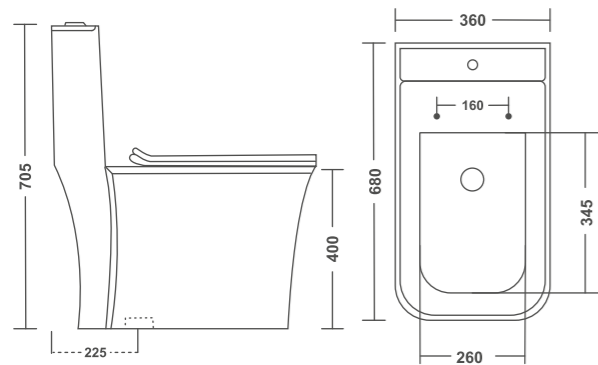
**ESIGMA - 1013**

L 665MM | W 365MM | H 725MM  
S Trap : 100MM



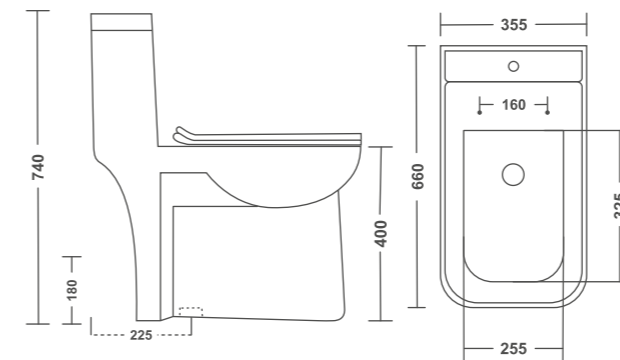
**EASTER - 1012**

L 680MM | W 360MM | H 705MM  
S Trap : 225MM



**EMCER - 1014**

L 660MM | W 355MM | H 740MM  
S Trap : 225MM | P Trap : 180MM



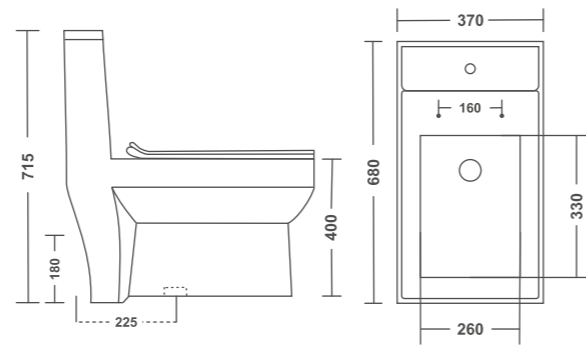


Soft close  
Seat cover

Dual Flush  
System

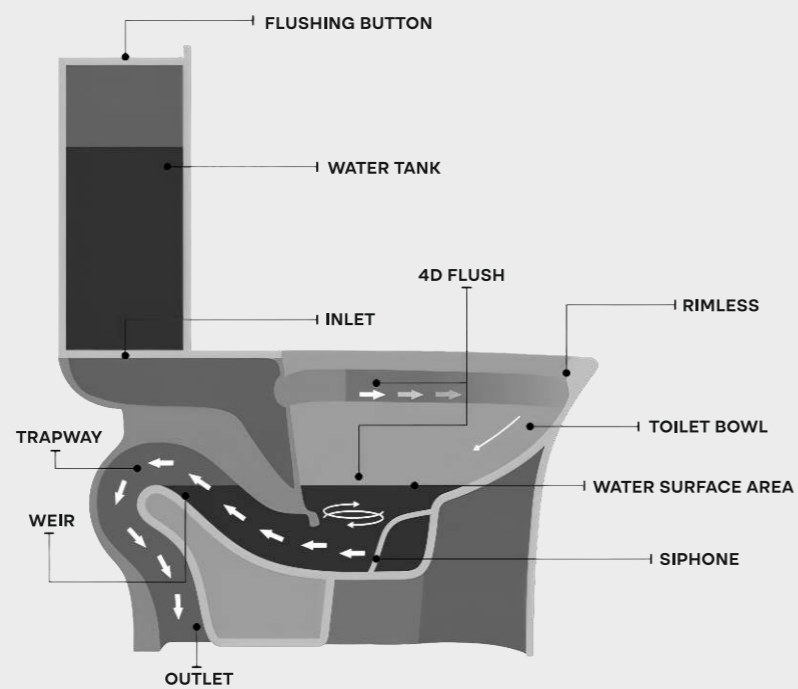
**EUROPA - 1016**

L 680MM | W 370MM | H 715MM  
S Trap : 225MM | P Trap : 180MM



**HOW IT WORKS?**

Large water surface offers easy cleaning  
Extra large siphon jet for maximum power  
Elegant skirted design offers easy cleaning  
Large computer designed, fully glazed trap way reduces clogging.



DESIGNING  
SPACES FOR LIFE'S

*Refreshing Moments*

**EUROPA - 1016**



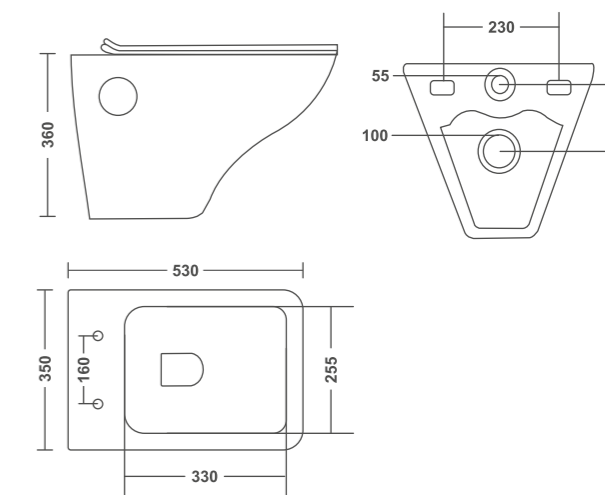
# WALL HUNG WATER CLOSET

Redefine your bathroom with our premium range of wall hung water closets. Combining contemporary design with superior functionality, our water closets offer a perfect blend of aesthetics and practicality.



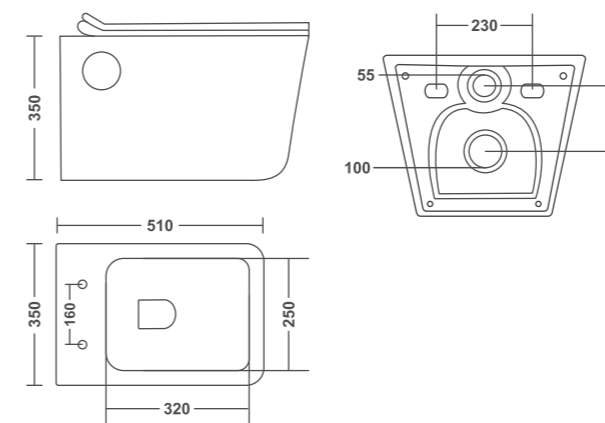
## NOVA - 2001

L 530MM | W 350MM | H 360MM



## NEXON - 2002

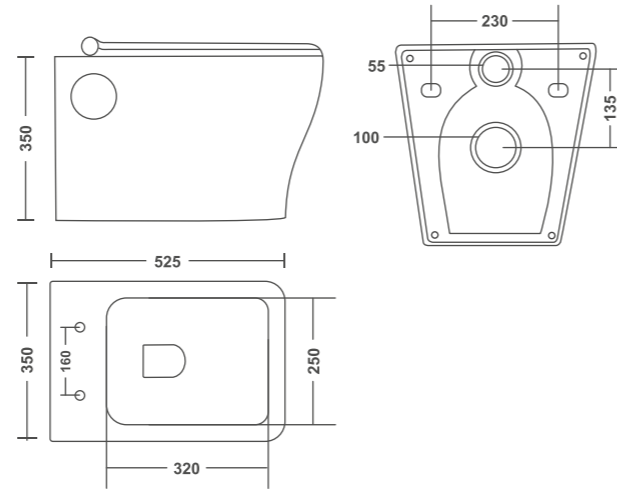
L 510MM | W 350MM | H 350MM





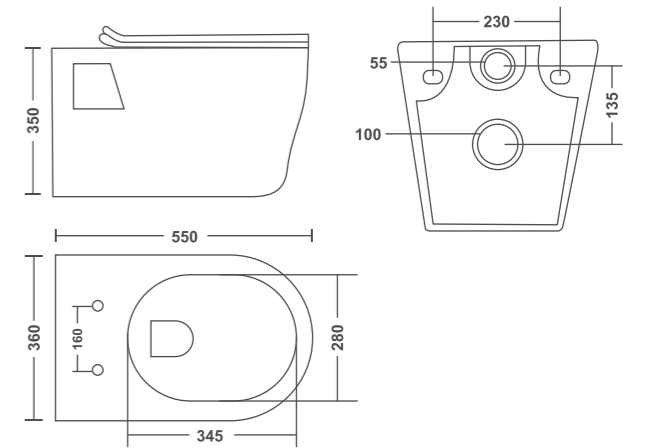
**NIKON - 2004**

L 525MM | W 350MM | H 350MM



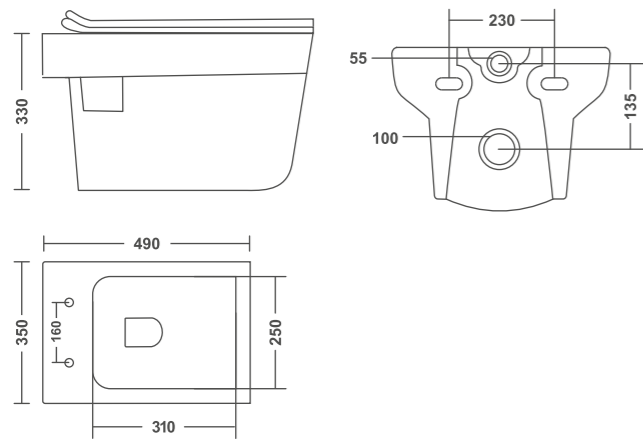
**NESA - 2007**

L 550MM | W 360MM | H 350MM



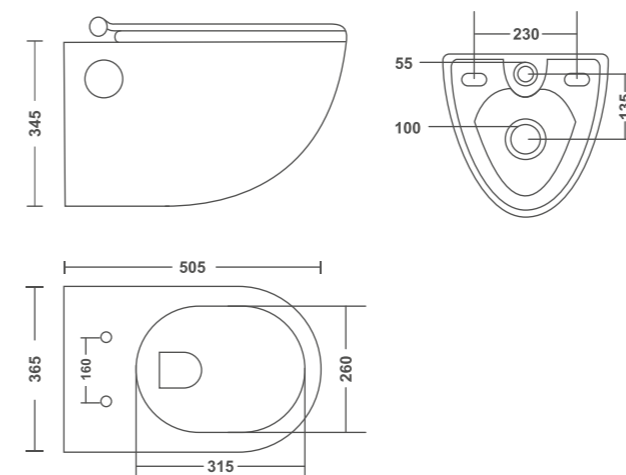
**NEON - 2005**

L 490MM | W 350MM | H 330MM



**NERO - 2009**

L 505MM | W 365MM | H 345MM





EMBRACE  
THE TIMELESS  
APPEAL OF YOUR

*Bath Space*

**NERO - 2009**

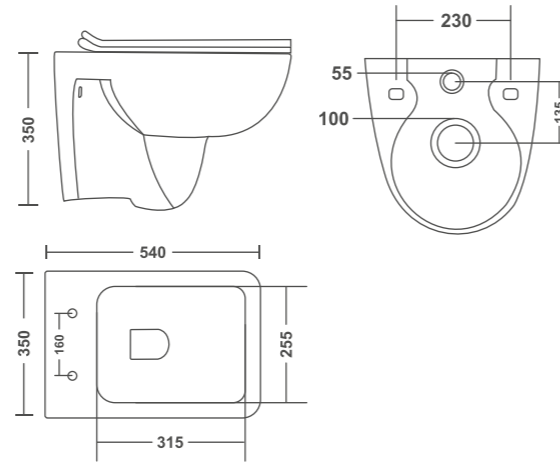
---

**WALL HUNG  
WATER CLOSET**



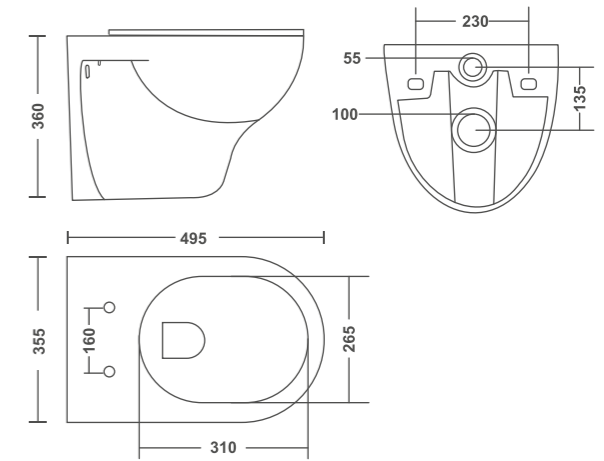
**NIMA - 2010**

L 540MM | W 350MM | H 350MM



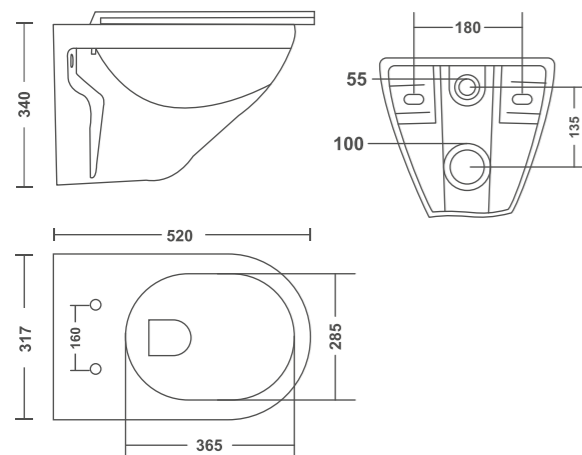
**NANO - 2012**

L 495MM | W 355MM | H 360MM



**NIKO - 2011**

L 520MM | W 317MM | H 340MM



PRECISION  
AND PERFECTION  
IN

*Every Piece*

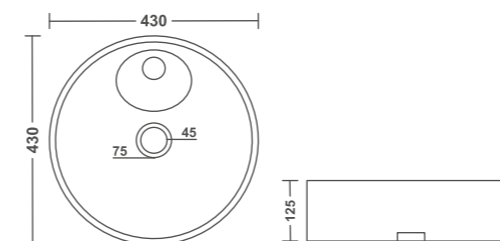
# TABLE TOP BASIN

Transform your bathroom into a haven of luxury and style with our exclusive range of table top basins. Designed to elevate your bathroom aesthetics, our basins combine functionality with unparalleled craftsmanship.



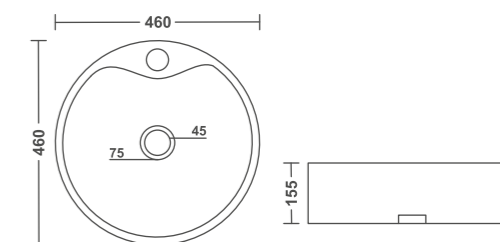
## DIVINE - 3001

L 430MM | W 430MM | H 125MM



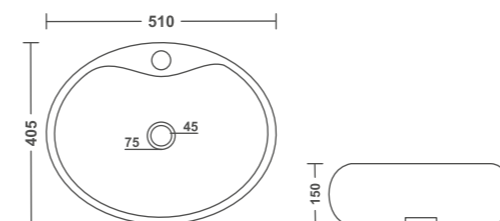
## DAINA - 3002

L 460MM | W 460MM | H 155MM



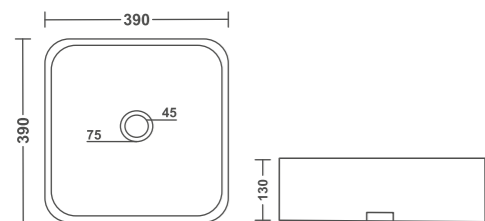
## DOLLY - 3003

L 510MM | W 405MM | H 150MM



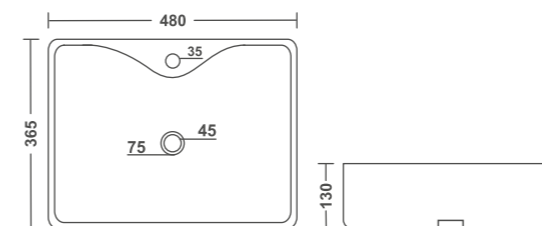
**DELL - 3004**

L 390MM | W 390MM | H 130MM



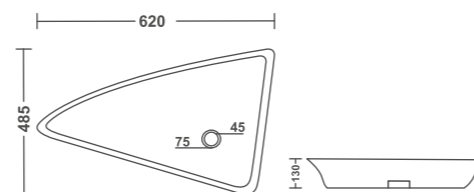
**DOVEL - 3007**

L 480MM | W 365MM | H 130MM



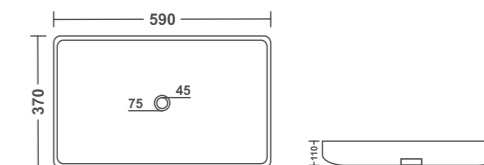
**DYMO - 3005**

L 620MM | W 485MM | H 130MM



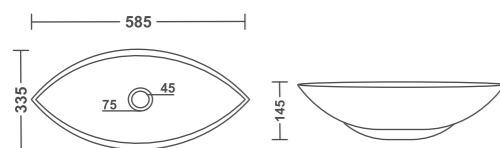
**DUCATI - 3008**

L 590MM | W 370MM | H 110MM



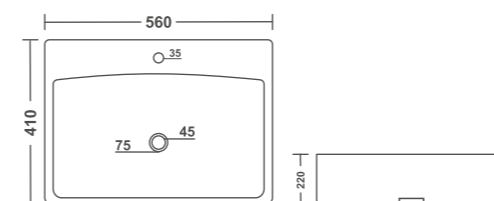
**DZIRE - 3006**

L 585MM | W 335MM | H 145MM



**DANNY - 3009**

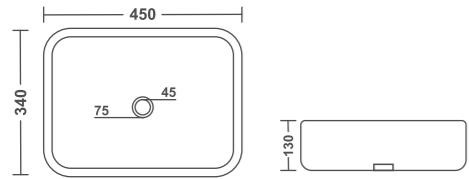
L 560MM | W 410MM | H 220MM





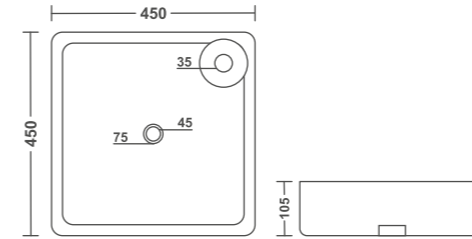
**DINAR - 3011**

L 450MM | W 340MM | H 130MM



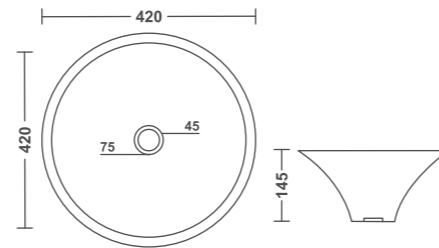
**DUKE - 3015**

L 450MM | W 450MM | H 105MM



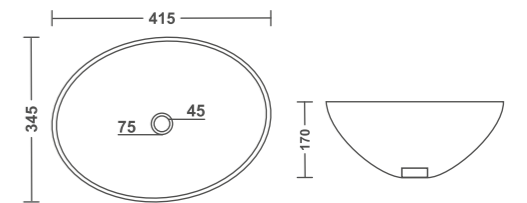
**DIU - 3013**

L 420MM | W 420MM | H 145MM



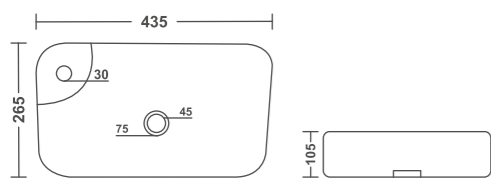
**DEMY - 3016**

L 415MM | W 345MM | H 170MM



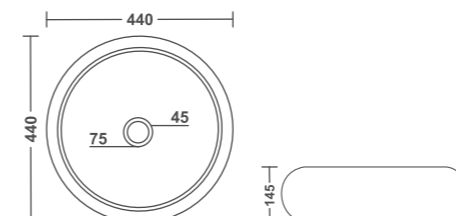
**DEKO - 3014**

L 435MM | W 265MM | H 105MM



**DREAM - 3017**

L 440MM | W 440MM | H 145MM





CHANGE  
THE LOOK AND  
FEEL OF YOUR SPACE BY

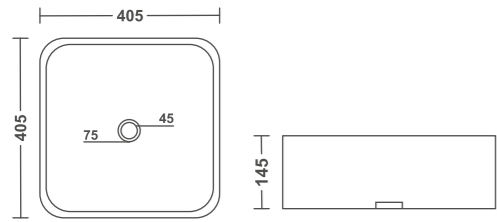
*Bringing Elegance*

**DELUX - 3026**

**TABLE TOP BASIN**

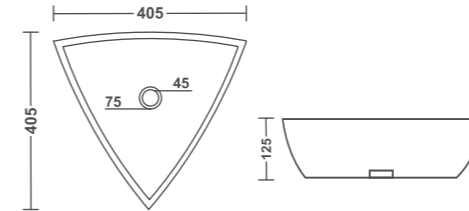
**DUREX - 3021**

L 405MM | W 405MM | H 145MM



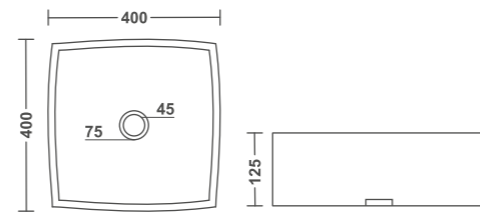
**DIA - 3024**

L 405MM | W 405MM | H 125MM



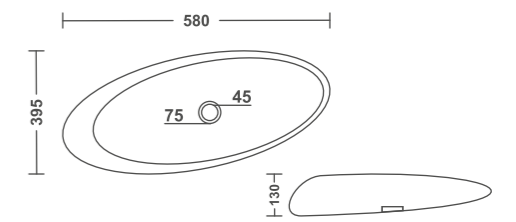
**DENIM - 3022**

L 400MM | W 400MM | H 125MM



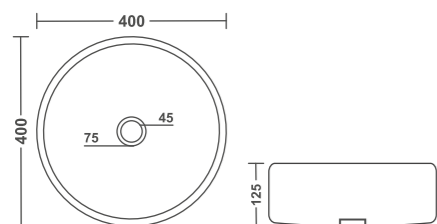
**DISNEY - 3025**

L 580MM | W 395MM | H 130MM



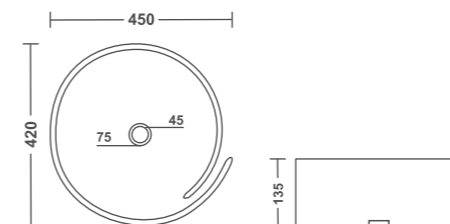
**DAISY - 3023**

L 400MM | W 400MM | H 125MM



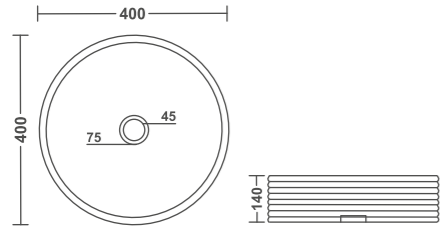
**DELUXE - 3026**

L 450MM | W 420MM | H 135MM



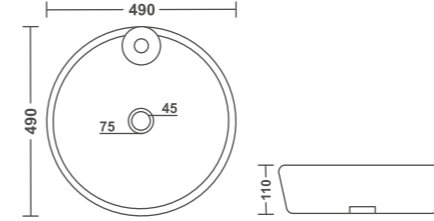
**DIZA - 3027**

L 400MM | W 400MM | H 140MM



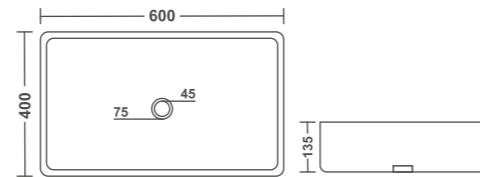
**DELIGHT - 3030**

L 490MM | W 490MM | H 110MM



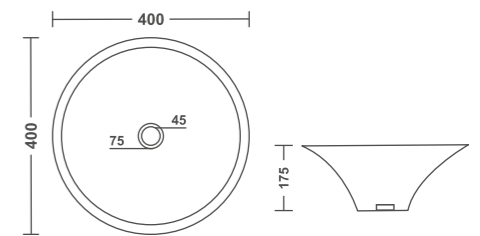
**DIZA PLUS - 3028**

L 600MM | W 400MM | H 135MM



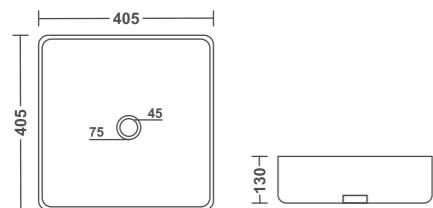
**DIAMOND - 3031**

L 400MM | W 400MM | H 175MM



**DIZA PRO - 3029**

L 405MM | W 405MM | H 130MM



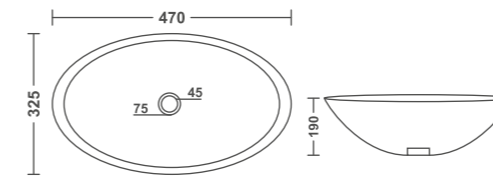
They are a type of basin that sits on top of a countertop or vanity unit, table top basins provide a sleek and modern look to the bathroom. Table top wash basins are easy to install, which makes them a popular choice for home renovations or remodeling projects.

*Art & Craft*



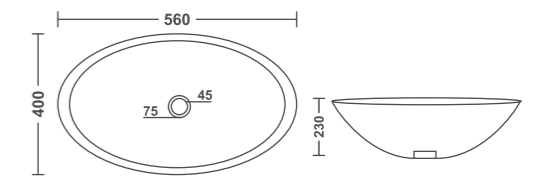
**AGATA - SMALL**

L 470MM | W 325MM | H 190MM



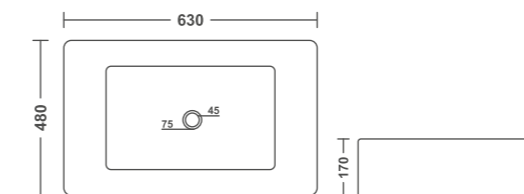
**AGATA - BIG**

L 560MM | W 400MM | H 230MM



**PLASMA**

L 630MM | W 480MM | H 170MM



**COUNTER  
BASIN**

Elevate the heart of your bathroom with our premium collection of counter wash basins. Designed to blend elegance and efficiency, our basins provide a perfect balance of style and functionality, ensuring your bathroom stands out in both form and function.

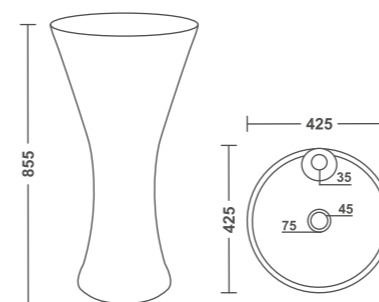
# FLOOR MOUNT BASIN

Our floor mount basins serve as striking focal points in any bathroom. With their commanding presence and elegant contours, these basins add a touch of luxury and refinement to your space. Perfect for both traditional and modern bathrooms, our floor mount basins are designed to impress.



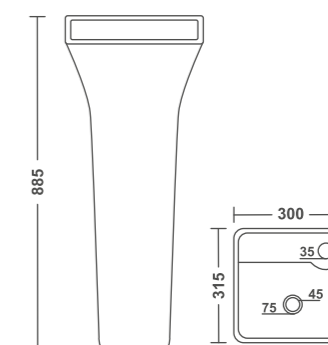
## ORBIT - 8001

L 425MM | W 425MM | H 855MM



## OSCAR - 8002

L 315MM | W 300MM | H 885MM





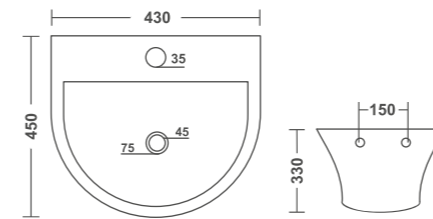
# ONE PIECE BASIN

Designed for those who appreciate seamless elegance and top-notch functionality, our basins offer a perfect combination of style, convenience, and durability. Our collection offers a variety of shapes, sizes, & finishes to suit any bathroom decor.



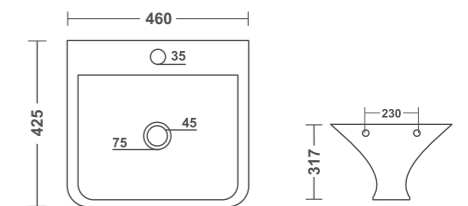
## EVITA - 4001

L 430MM | W 450MM | H 330MM



## ELISA - 4002

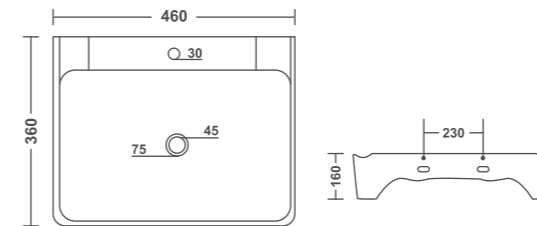
L 460MM | W 425MM | H 317MM





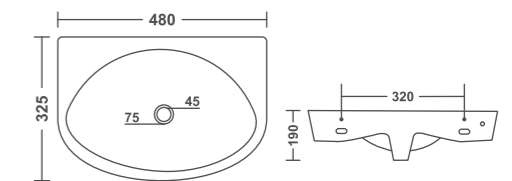
**KRISTI - 5001**

L 460MM | W 360MM | H 160MM



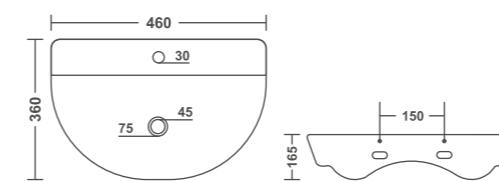
**KIMI - 5002**

L 480MM | W 325MM | H 190MM



**KARLOS - 5003**

L 460MM | W 360MM | H 165MM



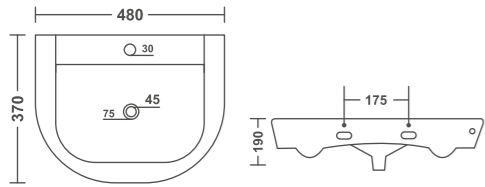
**WALL HUNG  
BASIN**

Sleek and sophisticated, our wall hung basins embody modern minimalist design. With clean lines and streamlined silhouettes, these basins add a touch of contemporary elegance to any bathroom.



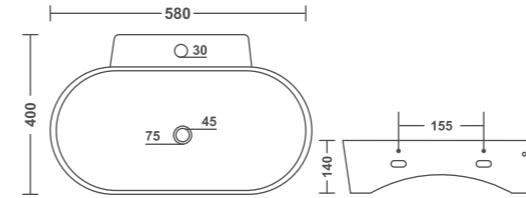
**KENDY - 5004**

L 480MM | W 370MM | H 190MM



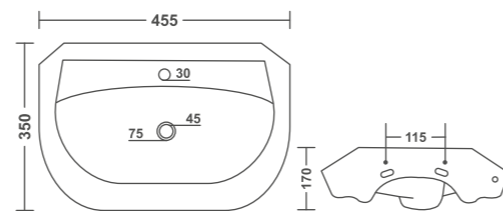
**KENZO - 5007**

L 580MM | W 400MM | H 140MM



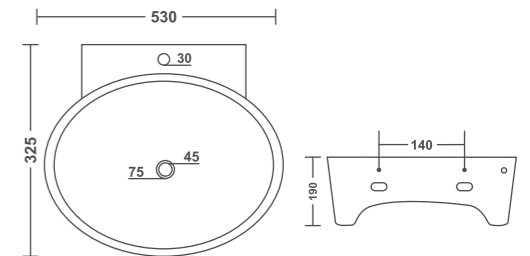
**KENCY - 5005**

L 455MM | W 350MM | H 170MM



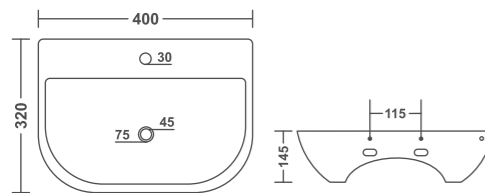
**KENT - 5008**

L 530MM | W 405MM | H 160MM



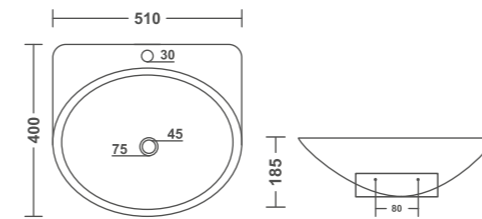
**KARMI - 5006**

L 320MM | W 400MM | H 145MM



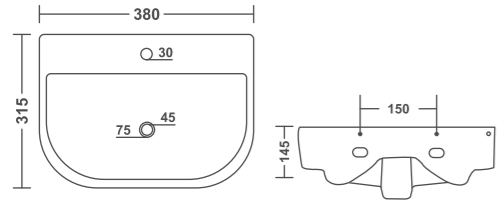
**KIWI - 5009**

L 510MM | W 400MM | H 185MM



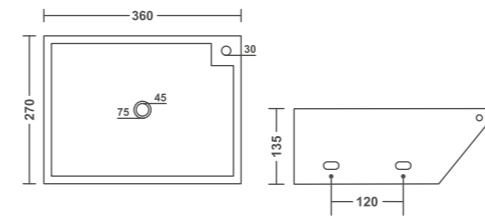
**KYARA - 5010**

L 380MM | W 315MM | H 145MM



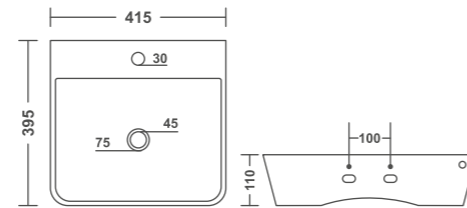
**KWID - 5013**

L 360MM | W 270MM | H 135MM



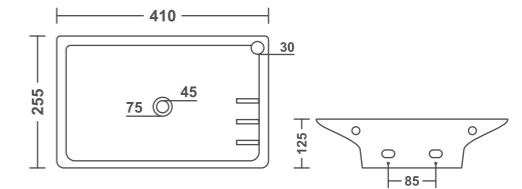
**KORBET - 5011**

L 415MM | W 395MM | H 110MM



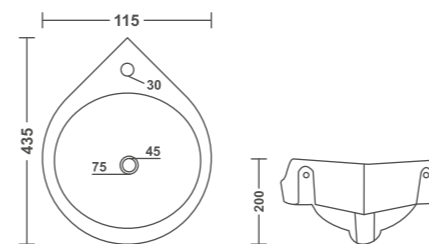
**KENA - 5014**

L 410MM | W 255MM | H 125MM



**KITE - 5015**

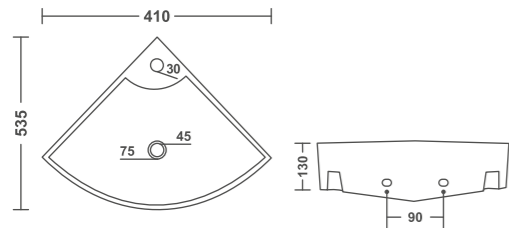
L 435MM | W 115MM | H 200MM



**KENA - 5014**

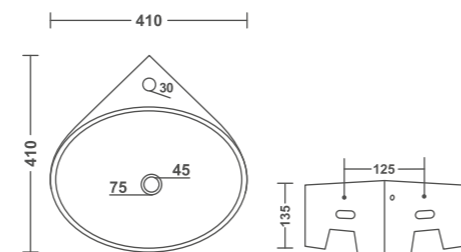
**KONA - 5016**

L 535MM | W 410MM | H 130MM



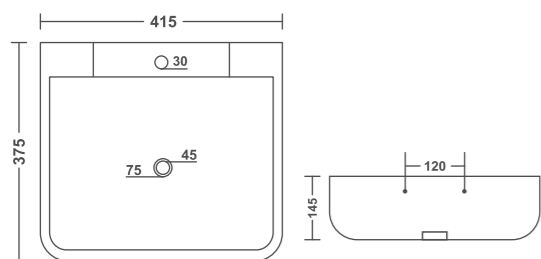
**KIA - 5017**

L 410MM | W 410MM | H 135MM



**KELVIN - 5018**

L 415MM | W 375MM | H 145MM



BRINGING  
OPULENCE TO  
LIFE WITH

*Eternal Grace*

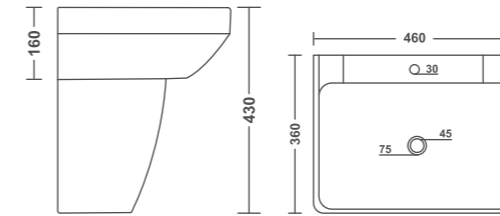
**KELVIN - 5018**





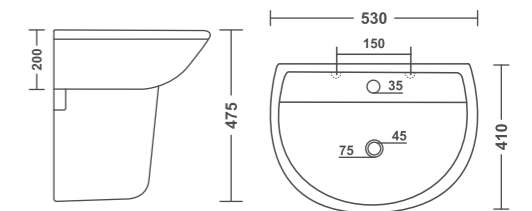
**ARCON - HALF SET - 6002**

L 360MM | W 460MM | H 430MM



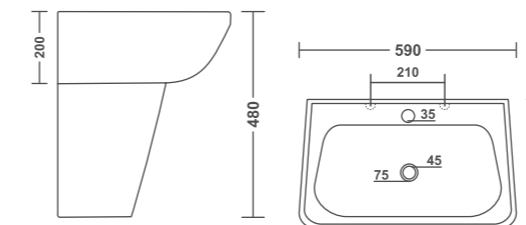
**AUDI HALF SET - 6005**

L 530MM | W 410MM | H 475MM



**ARON HALF SET - 6006**

L 590MM | W 450MM | H 480MM



**WALL BASIN  
HALF PADESTAL**

Sleek and sophisticated, our wall hung basins embody modern minimalist design. With clean lines and streamlined silhouettes, these basins add a touch of contemporary elegance to any bathroom.



# WASH BASIN PADESTAL

Sleek and sophisticated, our wall hung basins embody modern minimalist design. With clean lines and streamlined silhouettes, these basins add a touch of contemporary elegance to any bathroom.

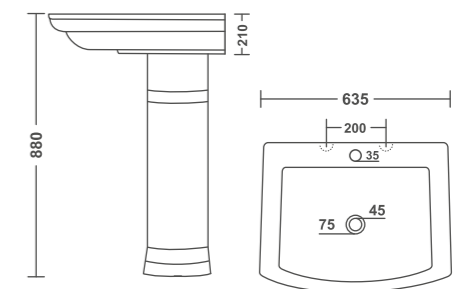
**WASH BASIN  
PADESTAL**

**ENDEKA**  
BATHWARE



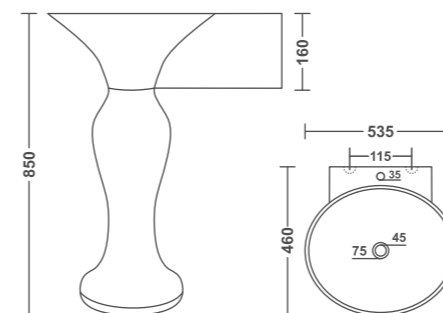
## ARISE SET - 7001

L 635MM | W 495MM | H 880MM/210MM



## ANGILA SET - 7002

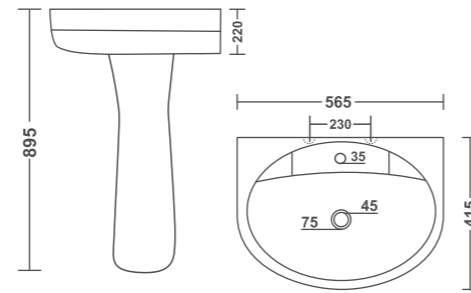
L 535MM | W 460MM | H 850/160MM





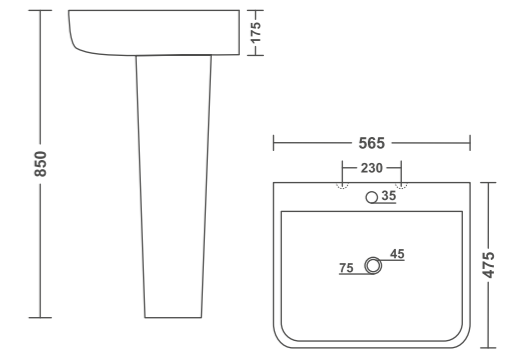
**ACTIVA SET - 7003**

L 565MM | W 415MM | H 895/220MM



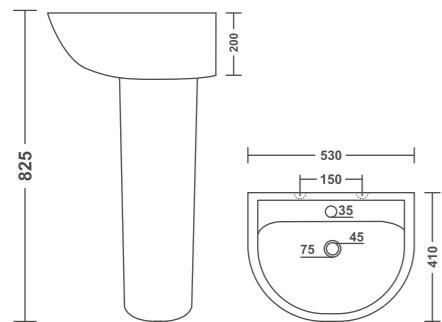
**ATLAS SET - 7007**

L 565MM | W 475MM | H 850/175MM



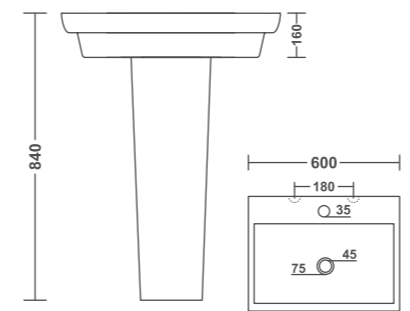
**AUDI SET - 7005**

L 530MM | W 410MM | H 825/200MM



**ARGON SET - 7008**

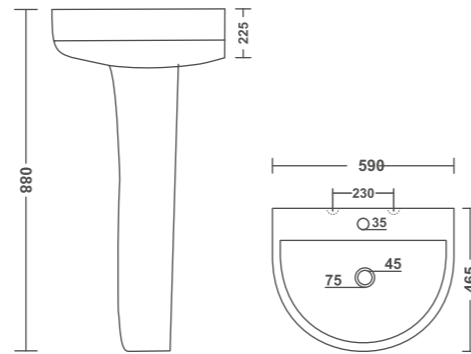
L 600MM | W 455MM | H 840/160MM





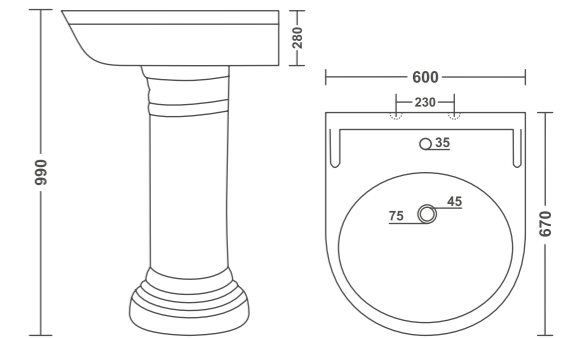
**ALFA SET - 7009**

L 590MM | W 465MM | H 880/225MM



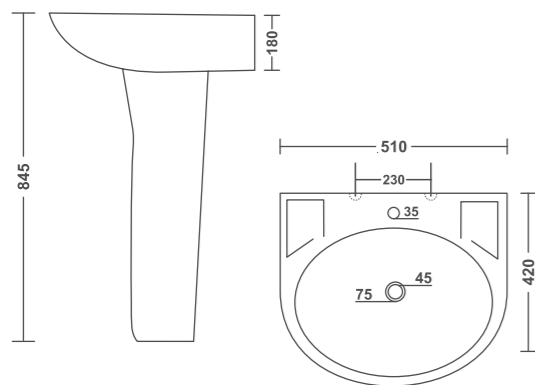
**ALASKA SET - 7011**

L 600MM | W 670MM | H 990/280MM



**APPLE SET - 7010**

L 510MM | W 420MM | H 845/180MM



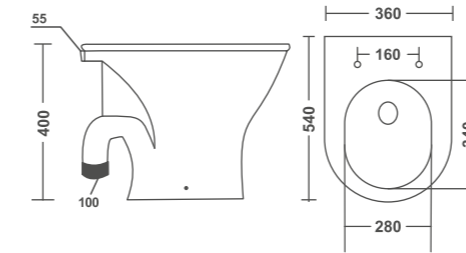
A wash basin pedestal is a common bathroom fixture where the sink is mounted on top of a vertical pedestal. The pedestal serves a dual purpose: it supports the basin's weight and conceals the plumbing, giving the bathroom a cleaner look.

*Ceramic Crafts*



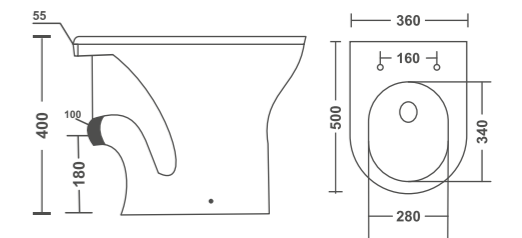
**EWC - S**

L 540MM | W 360MM | H 400MM



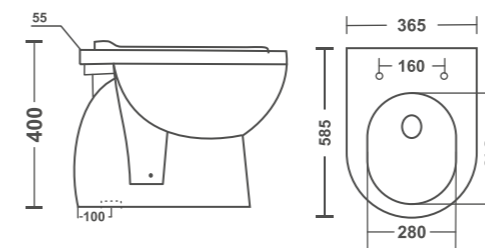
**EWC - P**

L 500MM | W 360MM | H 400MM



**CONCEALED - S**

L 585MM | W 365MM | H 400MM



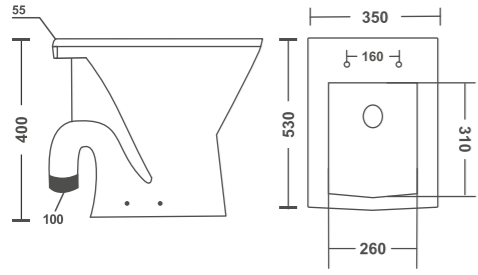
**WATER CLOSET**

Sleek and sophisticated, our wall hung basins embody modern minimalist design. With clean lines and streamlined silhouettes, these basins add a touch of contemporary elegance to any bathroom.



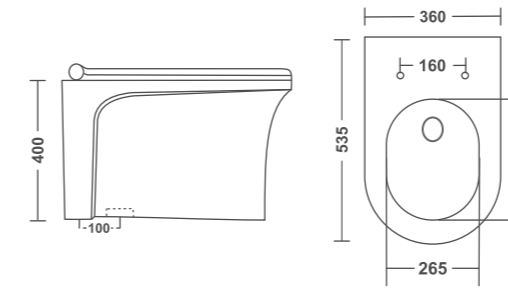
**CHOKO - S**

L 530MM | W 350MM | H 400MM



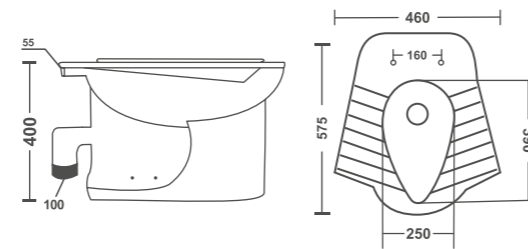
**INOX**

L 535MM | W 360MM | H 400MM



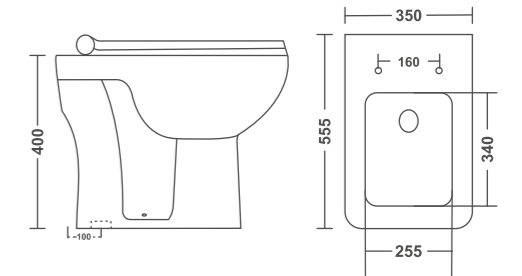
**ANGLO INDIAN - S**

L 575MM | W 460MM | H 400MM



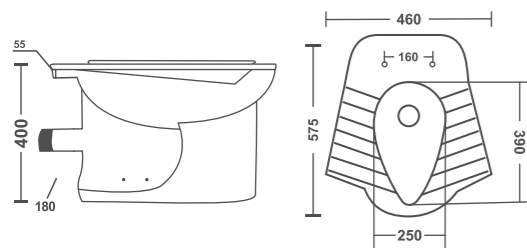
**LETIZIA**

L 555MM | W 350MM | H 400MM



**ANGLO INDIAN - P**

L 575MM | W 460MM | H 400MM



ALLURING  
AESTHETIC APPEAL OF

*Coramic Art*



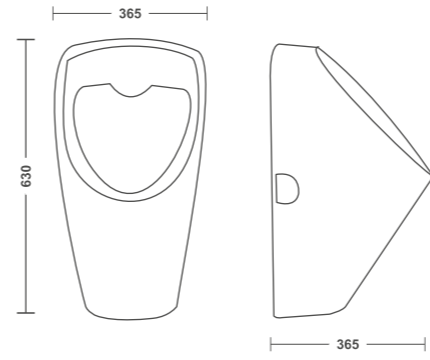
# PAN & URINAL

Sleek and sophisticated, our wall hung basins embody modern minimalist design. With clean lines and streamlined silhouettes, these basins add a touch of contemporary elegance to any bathroom.



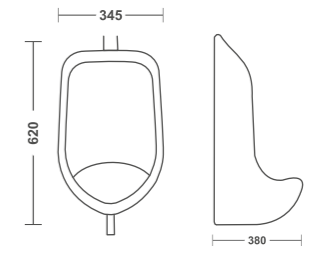
## UNIQUE URINAL

L 365MM | W 365MM | H 630MM



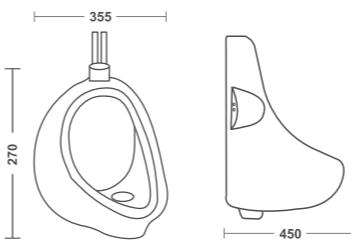
## LARGE URINAL

L 380MM | W 345MM | H 620MM



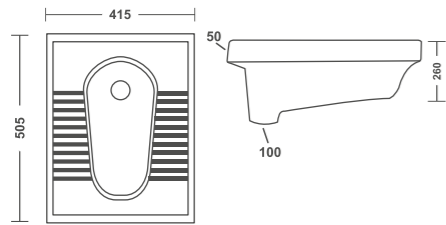
## FLAT BACK URINAL

L 450MM | W 355MM | H 270MM



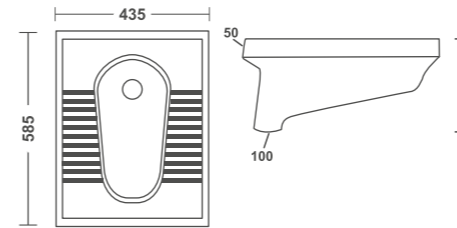
**ORISSA PAN 20"**

L 505MM | W 415MM | H 260MM



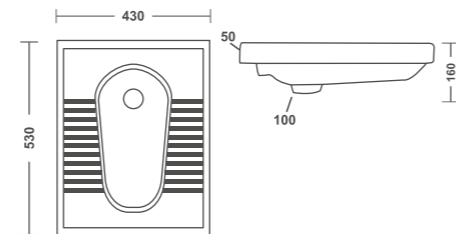
**ORISSA PAN 23"**

L 585MM | W 435MM | H 310MM



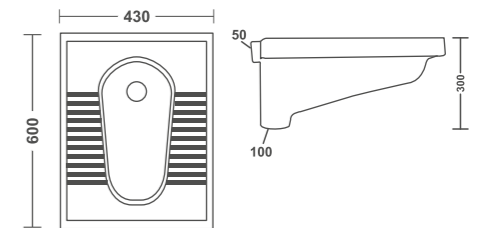
**CT PAN 20"**

L 530MM | W 430MM | H 160MM



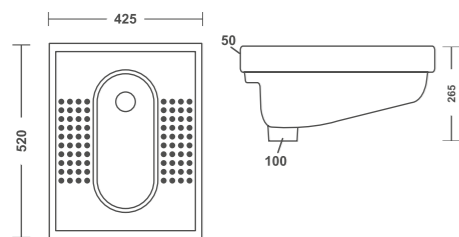
**ORISSA PAN 23"  
( BOX RIM )**

L 600MM | W 430MM | H 300MM



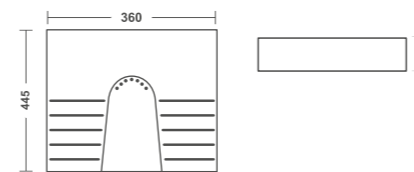
**AQUA PAN**

L 520MM | W 425MM | H 265MM



**SQUATING URINAL**

L 445MM | W 360MM | H 100MM



## INSTALLATION

### MAINTENANCE

A few minutes everyday... and a beautiful bathroom forever. Like any other part of your house, the bathroom can be made to look great and made to last if it is taken care of regularly. Here are some simple tips that can help you keep your bathroom space and span.

### WASH BASIN

The wash basin needs to be washed with a mild detergent at least once a day. After washing, the basin must be wiped dry to avoid water stains, especially on dark colours.

### CLOSETS

Use a plastic bristled brush with a plastic handle to scrub the toilet with a cleanser like Harpic, at least once a day.

After flushing the toilet, give it a "once over" with the brush to avoid minute discoloring.

Keep the toilet brush handy in a convenient stand/cover nearby.

In the case of Vitreous China Sanitaryware like Silware toilets and basins, if there has been no maintenance over a long period of time, water deposits and discoloration can form on the surface of areas that get wet. In such cases, these stains/marks can be removed with the help of a solution of dilute hydrochloric acid..

Clean with a soft cloth and warm soapy water.

Use a liquid cleaner at least once a week. Do not use powder paste, thinner or dry cleaning liquids.

To remove fine scratches, use Brasso or car rubbing compound and then polish with a polish cloth.

### CONCEALED WALL HUNG

1. If the wall is going to be plastered for a thickness of 12 mm and a tile thickness of 6-7 mm, the projection of the bolts from the finished wall should be 66 mm only.
2. If the thickness of plastering and tile is less than the dimensions mentioned above, the bolts that are supplied along with the bracket should be moved into the wall by using a suitable spacer washer between the bolt head and the bracket frame.
3. The bracket should be buried into the floor so that the height from the center line of the bolt to the surface of the finished floor is 320 mm.

## INSTALLATION & MAINTENANCE TIPS

1 Use C.I. Brackets with rag bolts to install Wash Basin with or without pedestal.

If Wash Basin is large in size than it is recommended to install on pedestal screwed to the floor.

2 All Wall Mounting E.W.C. to be installed with the help of C.I. Chair bracket as well as with heavy duty rag bolt with cap and rubber bush and outlet coupler.

3 All Floor Mounting E.W.C. to be fixed on the floor with help of Screwed and do not use Cement at the hollow portion of E.W.C.

4 It is recommended to clean regular with dry cloth/Mild Detergent to avoid stain & if required, diluted Hydrochloric acid may be used.

5 Do not use hard bristled/wire brush for cleaning to avoid scratches on wares.

## TECHNICAL SPECIFICATION

PARTICULARS	I.S.I REQUIREMENTS	OUR VALUE
WATER ABSORPTION	<0.5%	< 0.25%
MODULUS OF RUPTURE	> 600 KG/CM2	750 KG/CM2
CRAZING RESISTANCE (STEAM PRESSURE OF 3.7 KG/CM2 FOR 4 HRS)	NO CRAZING UPTO TWO CYCLES	NO CRAZING UPTO FOUR CYCLES
MINIMUM FIRED THICKNESS	SHOULD BE 6.0 MM AT ANY AREA	>7 MM AT ANY AREA
WARPAGE	APPLIANCE SHOULD NOT EXCEED SPECIFIED LIMIT	WELL WITHIN IN PERMISSIBLE RANGE
THICKNESS OF GLAZE AT ANY PLACE	NOT SPECIFIED	400 MICRONS(0.4 MM)
SURFACE QUALITY	NO WAVY FINISH ON VISIBLE SURFACE	NO WAVY APPEARANCE
DISCOLOURATION	NONE ON VISIBLE SURFACE	NONE
RESISTANCE TO CHEMICALS	SHOULD BE RESISTANT TO ALL HOUSE HOLD CHEMICALS	PASSES
RESISTANCE TO STAINS AND BURNS	NO STAIN SHOULD REMAIN ON TESTING	PASSES

## TROUBLE SHOOTING GUIDE

ITEM	PROBLEM	PROBABLE REASONS	CORRECTIVE ACTIONS
One piece closet	1. Water not coming in bowl area while flushing	Water line not cleaned properly	Before installation clean the incoming as well as out going line
		Malfunctioning of mechanism inside tank	Change the mechanism
		No water in the flush tank	Raise the height change slot to the max. level
	2. Leaking of water in bowl area	Push button is locked	Release the push button
		Fitment of mechanism end part and outlet of tank not fitted properly	After opening the mechanism check the fitment
		Malfunctioning of mechanism inside tank	Change the mechanism
3. Insufficient Water quantity for effective flushing	Height change slot adjusted at lower level	Closet is not levelled properly	
4. Uneven flow of water from both side of closet	Raise the height change slot to the max. level	Level the closet properly	
Wall hung Water Closet	1. Water not coming in bowl area while flushing	Flush valve / concealed cistern is not working properly	Change flush valve / concealed cistern
		Flush pipe is not inserted up to the end of inlet hole	Insert the flush pipe upto the end of inlet
	2. Leaking of water in bowl area	Closet is not levelled	Level the closet properly
3. Insufficient Water quantity for effective flushing	Connection between closet outlet and drainage pipe is improper	Engage experienced plumber for proper connection	
Wash Basin / Table Top	1. Overflow choked and foul smell	Full threaded waste coupling might be in use	Replace it by slot cut coupling
	2. Water logging in platform and bowl area	Bracket and basin fixing may be the reason	Levelling to be checked and rectified
	3. No tap hole in the basin	Tap hole is semi punched from back side	Call plumber and open up the semi punched hole
EWC/Pan/ Anglo indian	1. Water not coming in bowl area while flushing	Flush bend is not inserted up to the end of inlet hole	Insert the flush pipe up to the end of inlet
		Levelling issue	To be levelled properly